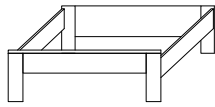
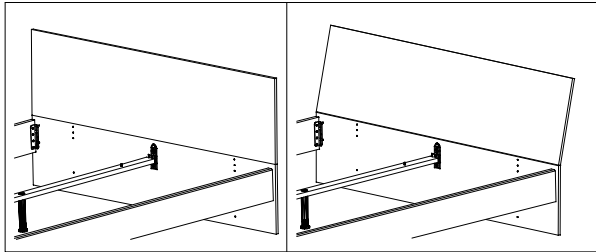
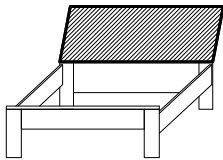
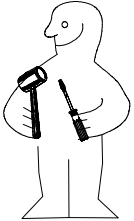


# 980457

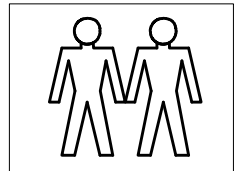
1.



2.



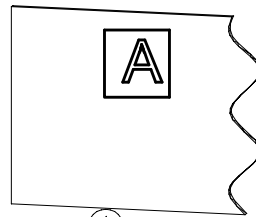
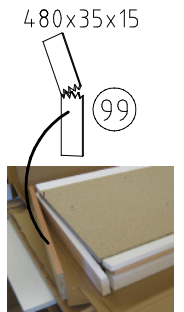
<b>SP27</b> 4 X 27mm 122620 	12x-18x
---------------------------------------	---------



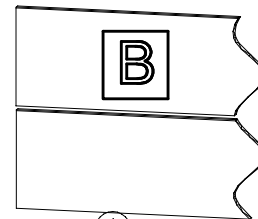
4,0 x 15 mm <b>G23</b> 121 110 	8x
--	----

<b>o16</b> 111 004 	2x
---------------------------	----

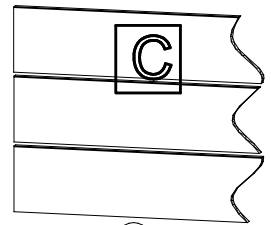
?		
2x L3025 (A)	2x L600 (A)	2x L750 (B+C)



1x ①  
 1884/1684/1484/x 480  
 (1884/1684/1484/x 500)



2x ①  
 1884/1684/1484/x 240 x 18

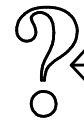
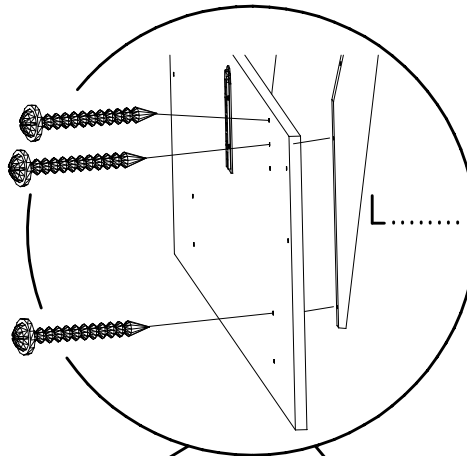


3x ①  
 1884/1684/1484/x 160 x 18

1



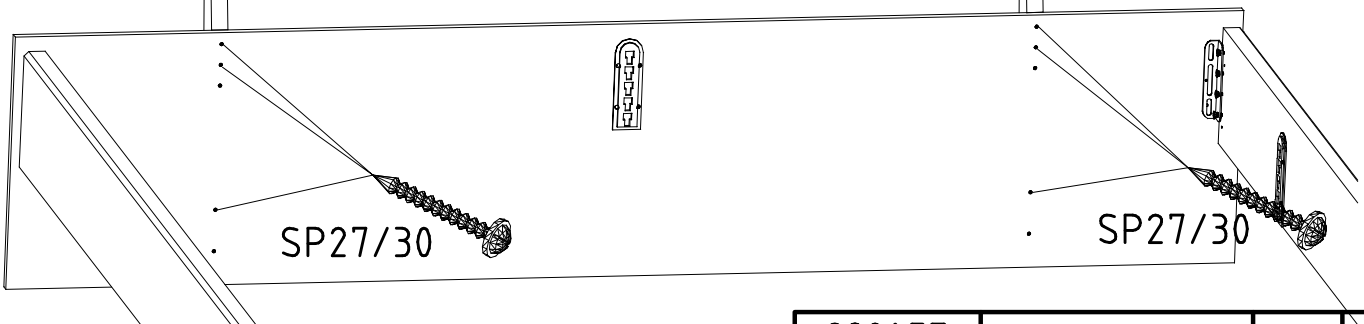
15mm 	<b>SP27</b> 4 X 27mm 122620 
18mm 	<b>SP30</b> 4 X 30mm 121128 



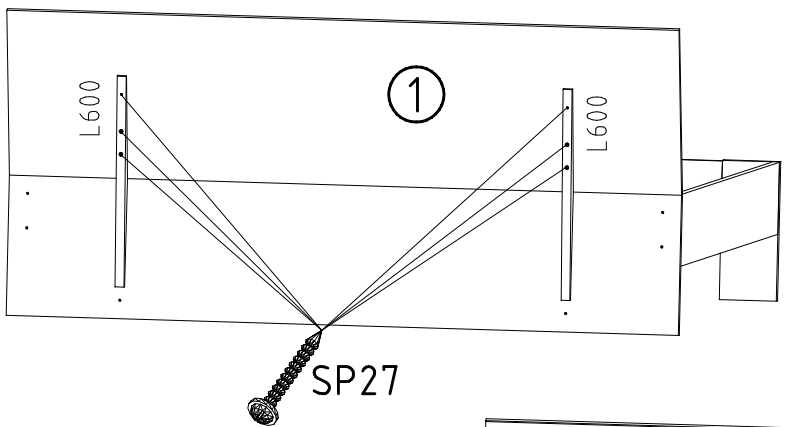
	L 600
	L 750
	L 3025

L600  
L750  
L3025

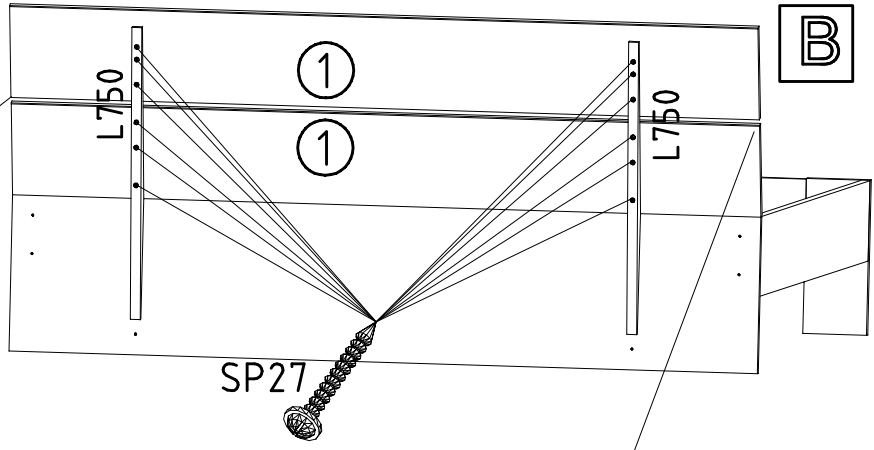
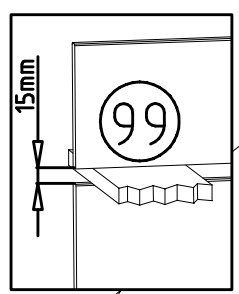
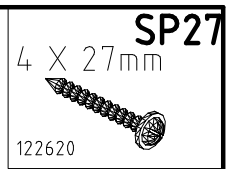
L600  
L750  
L3025



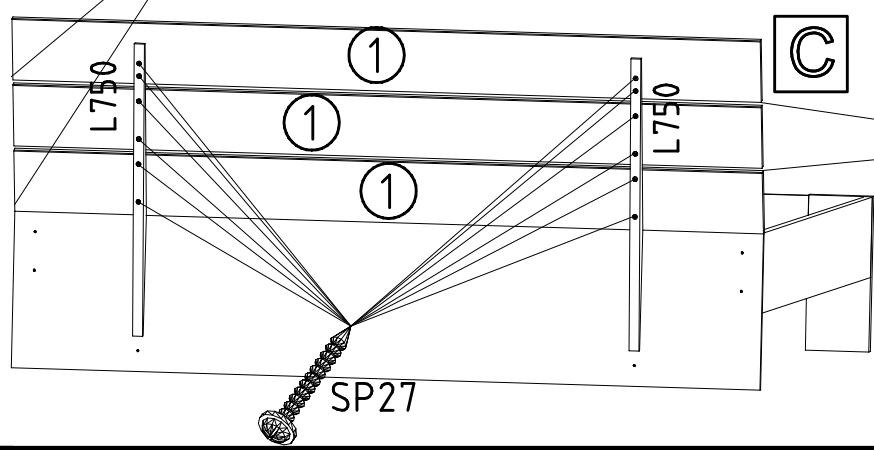
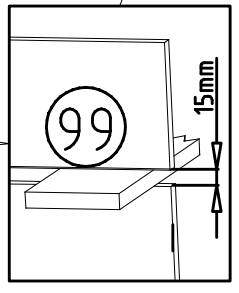
2



A

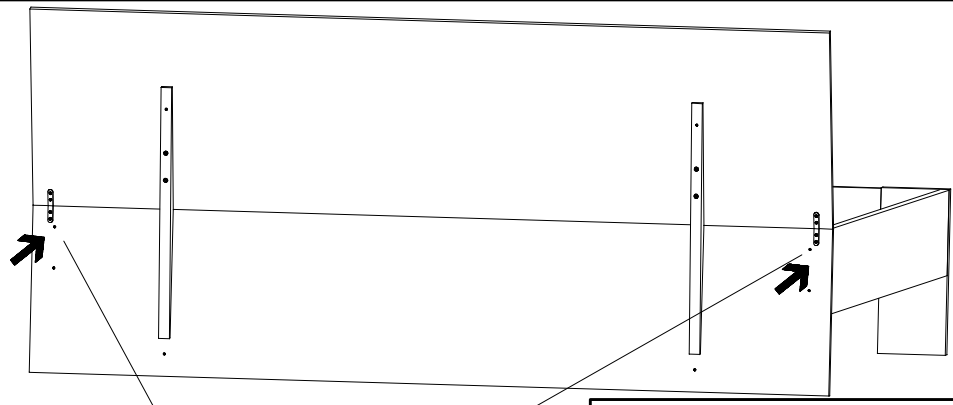


B



C

3



A B C

